

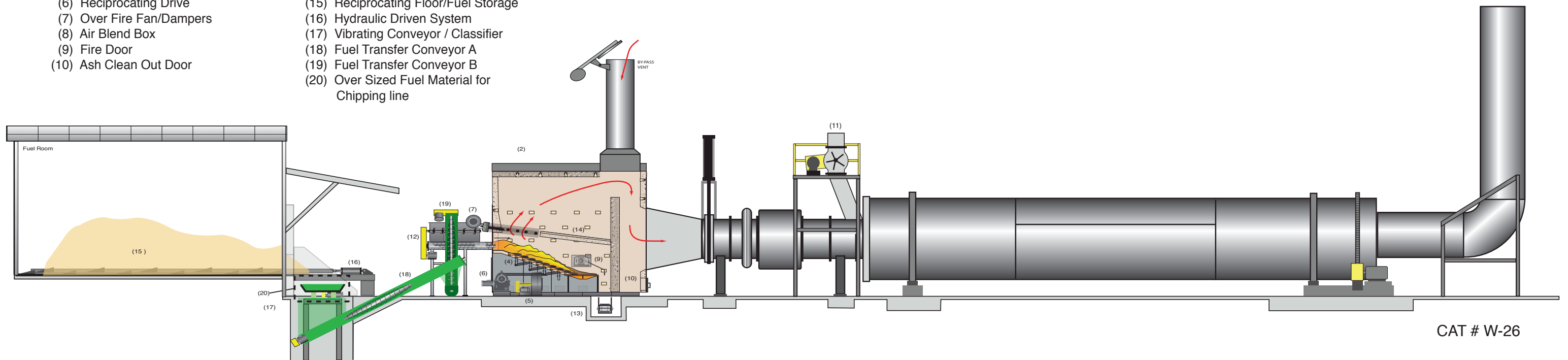
DIRECT FIRE "STAG" UNIT

Reciprocating Grate
Combustion System



Rotary Dryer Application

- (1) Rotary Dryer
- (2) Hurst Solid Fuel Burner Furnace
- (4) Reciprocating Fire Grates
- (5) Under Fire Air Fan
- (6) Reciprocating Drive
- (7) Over Fire Fan/Dampers
- (8) Air Blend Box
- (9) Fire Door
- (10) Ash Clean Out Door
- (11) Material Feed
- (12) Fuel Metering Bin
- (13) Ash Removal Conveyor
- (14) Refractory Arch
- (15) Reciprocating Floor/Fuel Storage
- (16) Hydraulic Driven System
- (17) Vibrating Conveyor / Classifier
- (18) Fuel Transfer Conveyor A
- (19) Fuel Transfer Conveyor B
- (20) Over Sized Fuel Material for Chipping line



CAT # W-26

SOLID FUEL BURNER RG

Reciprocating Grate System

Modular Packaged